



AC12.3P

Steerable vertical coverage angle active column

Compact, portable, high SPL arrayable column design

Built in multi channel digital amplifier and DSP module
precise adjustment of vertical sound beam control

MAX 8 pics AC12.3P to hand with linear and get 8 meter long lineal source
it can throw to 100 meter in effective frequency

The best choice for medium or small concert and indoor invisible fixed installation



For further information,
please scan the QR code.

AC12.3P specifications

AC12.3P is an active arrayable and steerable column composed of 12 x 3" full range drivers feed by 4 amplifiers of 190W (RMS). An internal DSP is in charge of the sound steering control and the equalization for a smooth frequency response. The use of full range drivers avoids the use of crossover and the inherent phase problems.

The maximum number of columns in one array is 8 units. It means an 8-meter-long lineal source with the advantages of a greater near field than standard line arrays. The sound attenuation in near field is only 3dB each time the distance is doubled instead the 6dB attenuation that happen in the far field. As well the sound beam angle control goes down to 100Hz due to the big length of the array.

There is not split angle between cabinets. The array is always flown vertical and the sound beam is configured by digital signal process.



AC12.3P can be used with SUB136TP.

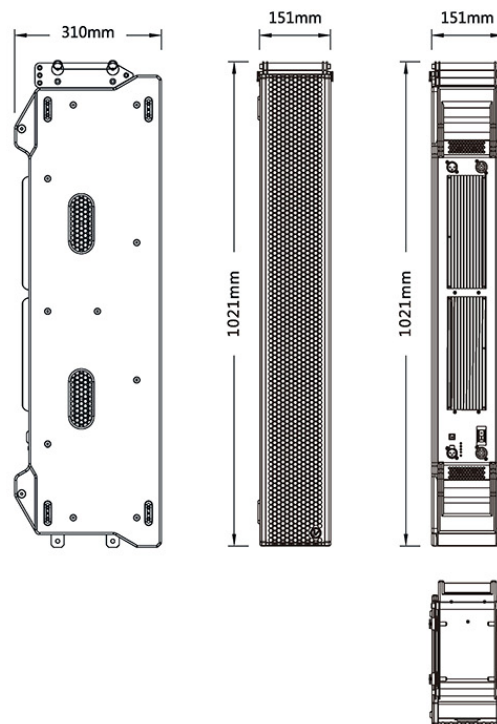
Acoustics	AC12.3P
Frequency response(-6dB)	90Hz~13kHz
Maximum SPL@1m	123dB(Program)
Input Sensitivity	1V
Horizontal coverage	120°@5kHz
Vertical coverage	Configurable
Driver	12 x 3" Full range European drivers
Controls	DSP control
Protections	Thermal, Soft power limiter
N.W	23kg
Product Dimendions	W151xH1021xD310mm
Packaging and transportation	Flying case packaging and transportation
Flying case dimension	W1071xH360xD872mm

Amplifier	
Power	4x 190W (RMS)
Output circuitry	Class D

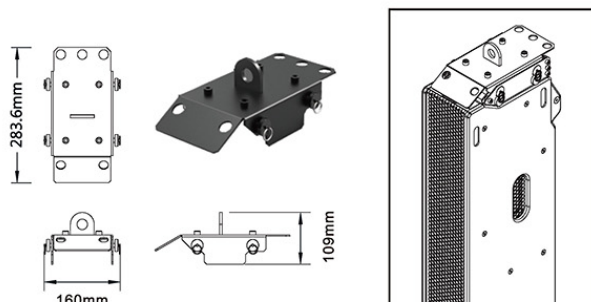
Connector	
	XLR3 for signal input and stack output / USB Client for DSP control / Powercon for Mains input and output

Cabinet	
---------	--

CNC made 12mm MDF , Spraying technology of black sand paint



AC12.3P FF-T(Top accessories)



AC12.3P FF-B(Bottom accessories)

